

PHILIPS *Service*

GRAMOPHONES

22GC032/00/01/02/03/04

/16/17/22/50/53/54



TECHNICAL DATA

Mains voltages	: 110/127 and 220 V
Mains frequency	: 50 c/s
Power consumption	: approx. 10 W
Dimensions	: 220 x 308 mm
Building-in depth	: 75 mm
Speeds	: 33 1/3, 45 and 78 r. p. m.
Pick-up heads, for use with this apparatus	: AG 3306 - AG 3310 - AG 3224 - AG 3228

Lubricating

Lubricate with Shell Alvania 2, code number A9 881 22/P50: the points marked A in Figs. 1 and 2.

Lubricate with lubricant 10, code number A9 881 46/F10: the points marked B in Figs. 1 and 2.

Lubricate with Shell Tellus 33, code number 4822 077 00104: point C in Fig. 1.

Lubricate with Calypsol 17, code number A9 881 29/F50: motor bearings.

Adjusting switch rod, item 59

The distance between bracket, item 58, and rod, item 59, should be at least 1 mm, with the apparatus switched off and the pick-up arm on the pick-up arm support, see D in Fig. 2. This distance can be adjusted by bending rod, item 59.

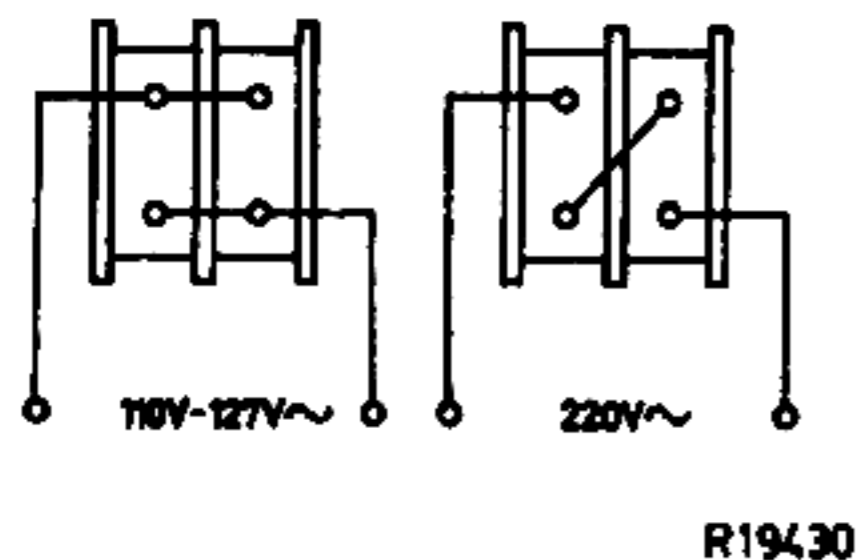


Fig. 3

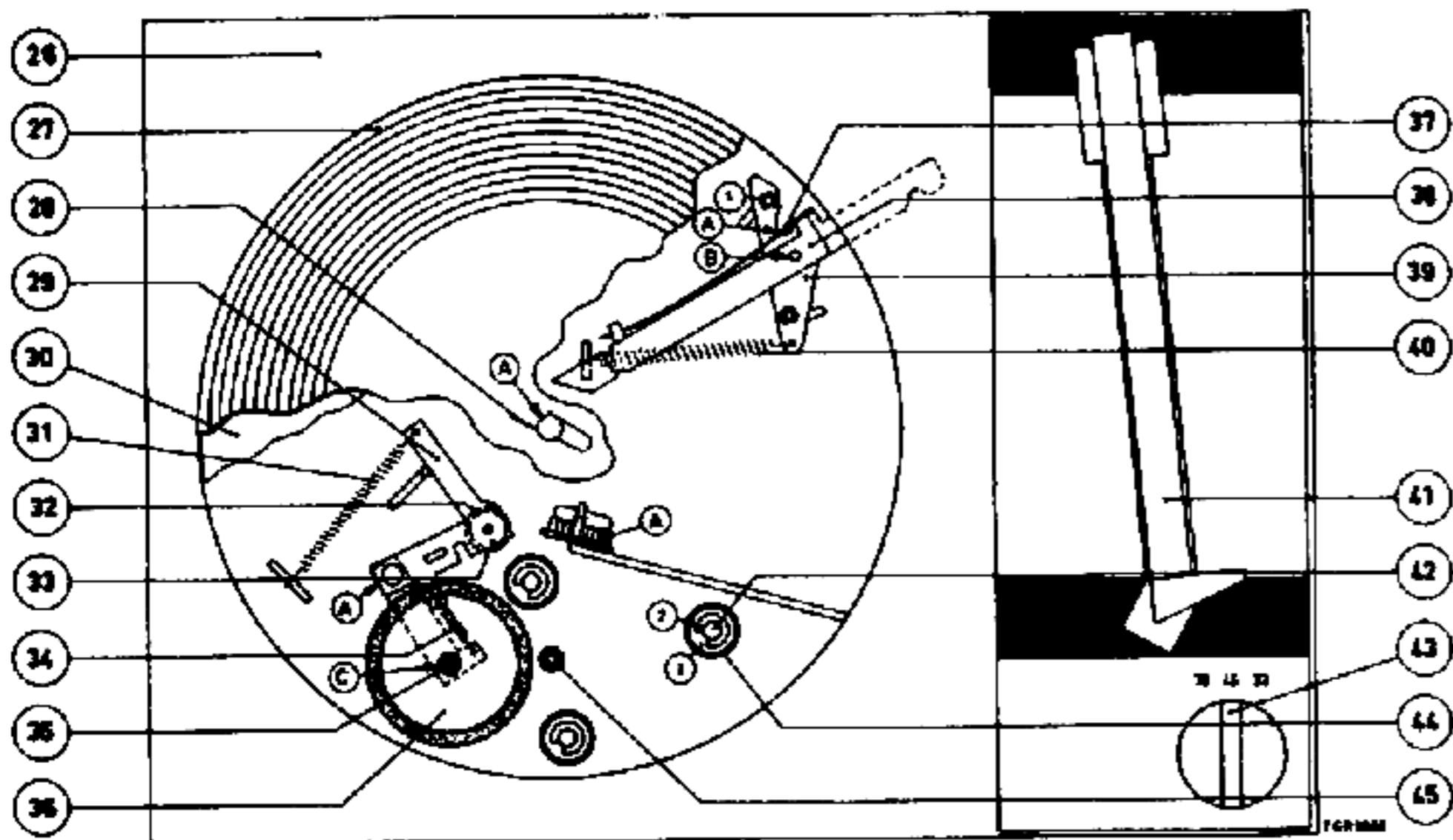
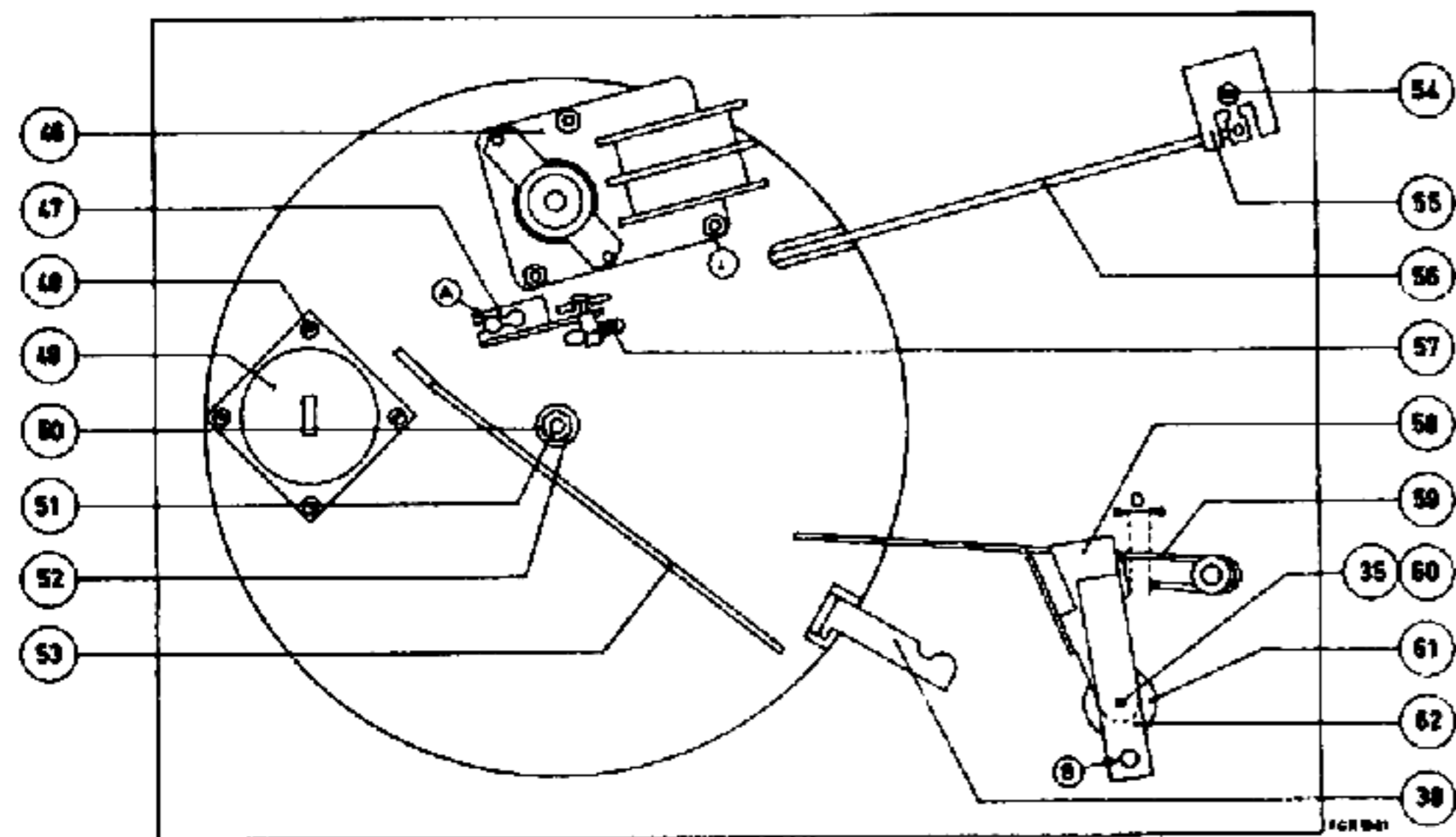


Fig. 1



LIST OF MECHANICAL PARTS

Item	Code number	Description
1	985/1,2	Clamping ring
2	985/6	Clamping ring
3	985/5	Ring
4	993/M3	Ring
26	4822 444 30051	Mounting plate
27	4822 466 50034	Rubber mat
28	4822 492 60882	Hair-pin spring
29	4822 402 40015	Idler wheel bracket
30	4822 528 10103	Turntable
31	4822 492 30418	Spring
32	4822 492 50453	Pressure spring
33	4822 532 10306	Spring cup
34	4822 175 01213	Spring
35	4822 175 01202	Nylon clamping ring
36	4822 206 00523	Idler wheel
37	4822 492 60861	Leaf spring
38	4822 402 20028	Trip lever
39	4822 402 60175	Switch plate
40	4822 492 30417	Spring
41	4822 251 70054	Pick-up arm
41	AE 014 74	Spring for stylus pressure adjustment
42	4822 206 00522	Bolt of motor suspension
43	4822 411 20074	Knob
44	4822 325 60063	Grommet of motor suspension
46	4822 361 70131	Motor with pulley
47	4822 402 30018	Bracket of speed-change switch
47	4822 535 90298	Spindle of bracket of speed-change switch
50	4822 520 30131	Bushing of turntable shaft
51	4822 535 90281	Turntable shaft
51	993/M4	Nut of turntable shaft
52	988/4	Ring
53	4822 535 90295	Rod to disengage the idler wheel
64	B 070 AD/4Nx5/16"	Screw
55	4822 466 80177	Plate
56	4822 535 90297	Rod of speed-change switch
57		
57	4822 492 30418	Spring
58	4822 402 30016	Friction bracket
59	4822 535 90296	Switch rod
60	4822 492 50452	Friction spring
60	988/3	Ring
61	AE 017 19	Plastic friction ring
62	4822 402 30017	Pick-up arm bracket
-	P5 512 86/FY	Adapter for 45-r.p.m. records
-	AE 017 49	Nylon ring underneath idler wheel
-	4822 175 01029	Leaf spring of pick-up arm support
-		
-	4822 206 00307	Mains switch
-	4822 535 90299	Rod to operate the mains switch
-	4822 175 01201	Clamping bracket to fasten the mounting plate
-	4822 492 50451	Suspension spring of mounting plate